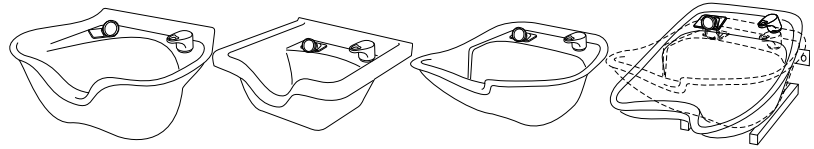


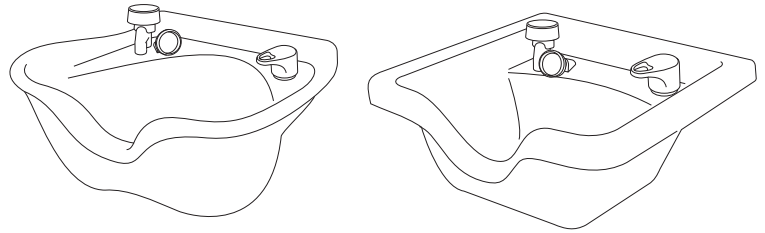
Enamel Bowls



Model #	3100	3800	8400K	8600
Model Name	Cameo	Alpha	Backwash	Pivoting
List Price			Bracket not included	
Bowl Only				
Bowl-522 fixture-sprayer-strainer & bracket*				
Bowl-522 fixture-sprayer-strainer-bracket*&403				
Bowl-522 fixture-sprayer-strainer-bracket*&603				
<i>*Does not include bracket on 8400K. Order 84WB bracket separately</i>				
Specifications				
Shipping Weight	70 est.	68 est.	60 est.	63 est.
Width	22	18 3/4	18	18
Depth	10	8 3/4	10	10
Front to back	19	19 1/2	21 7/8	21 7/8
Specify Colours (Mica colour enamel add: \$63)	Porcelain enamel	Porcelain enamel	Porcelain enamel	Porcelain enamel
Features	All bowls are cast iron porcelain enamel shampoo bowls			Wall-mount bracket & flexible drain hose included. Tilt adjusts 10° forward & 5° back from center.

Bowl Bracket & Bolts

Model #	84WB			
List Price				
Specifications				
Shipping Weight	3 est.			
Features	Mounting bracket used to mount 8400K bowl to wall			

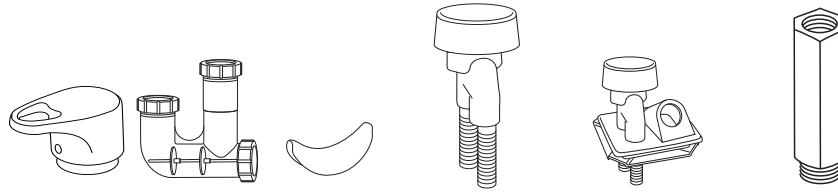


Model # Model Name	2100CAN Omega	2800CAN Beta
List Price		
Bowl Only		
Bowl-522 fixture-sprayer-strainer & bracket*		
Bowl-522 fixture-sprayer-strainer-bracket*&403		
Bowl-522 fixture-sprayer-strainer-bracket*&603		
Specifications		
Shipping Weight (lbs.)	16 est.	16 est.
Width	22 1/2	18 3/4
Depth	10 1/4	10 1/4
Front to back	19 1/4	19 1/4
Colour	Black Only	Black Only
Features	All bowls are cast acrylic/ABS shampoo bowls	

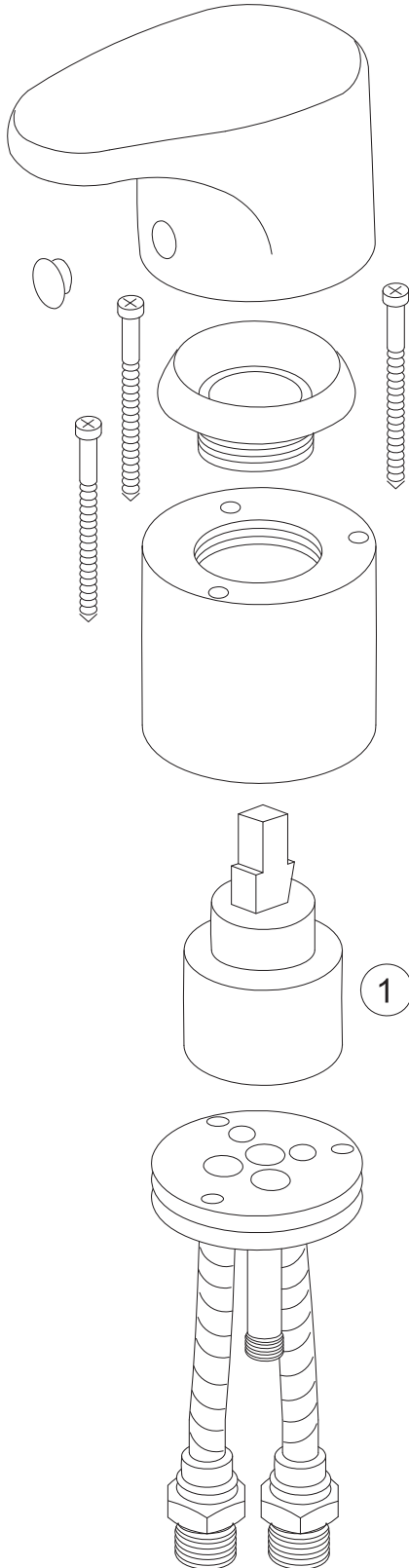
Acrylic/ABS Bowl Bracket

Model #	5B01718	5001752
List Price		
Specifications		
Shipping Weight	3 est.	2 est.
Features	Upper mounting bracket, use with 5001752	Lower mounting bracket, use with 5B01718

Fixtures, Vacuum Breakers, etc.



Model	522A-14	HT1	5001835-SM	403	403C	603C	
Specifications							
Shipping Weight (lbs)	2 est.	2 est.	2 est.	2 est.	2 est.	2 est.	
Features	Deck mount fixture. Chrome single handle control.	Hair trap. No agency approvals.	Black gel neck rest for use with 2100, 2800, 3100, 3800, 8400 and 8600 bowls. Some Euro Loft shampoo bowls.	Standard mode vacuum breaker. Does not include hose receiver or hose. ASSE 1001 approved.	Standard model complete with hose receiver and hose. ASSE 1001 approved.	Backflow preventer model 603C: Brass body. ASSE 1014	

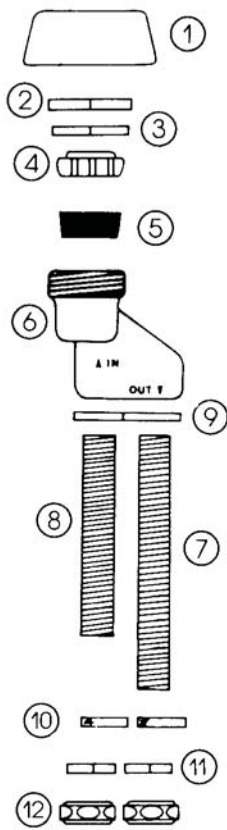


Bagged Assembly Number	Description
------------------------	-------------

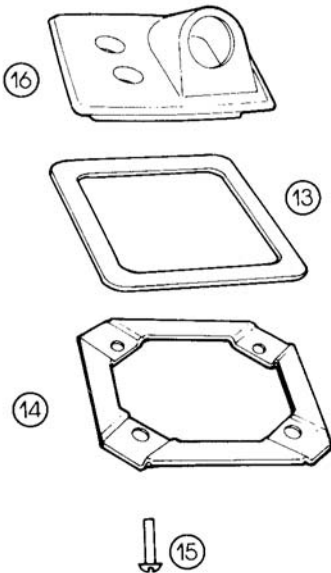
5001818	Cartridge
---------	-----------

403 Vacuum Breakers

Bowls



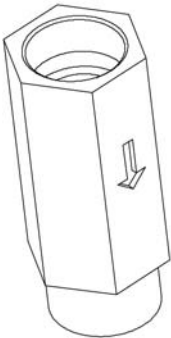
Hose Receivers



Bagged Assembly Number	Description
5001774	1 Cap
5001228	2 Retainer 3 Seat washer 4 Float 5 Seal
5001814	6 Body & seat assy 7 Pipe 8 Pipe 9 Rubber gasket
5001595	12 Lock nut (set of 2 ea)
5001659	13 Hose receiver gasket
5000715	14 Clamping plate 15 Screws (set of 4 ea) 16 Hose receiver with holes for vacuum breaker hose
5001813	Vacuum breaker hose 23" long
5001609	13 Hose receiver gasket 14 Clamping plate 15 Screws (4 ea) 16 Plain hose receiver

** Used on 403L and 404 vacuum breakers only.

603 Back Flow Preventer



Bagged Assembly Number	Description
603	Brass Body

Bagged Assembly Number	Description
5001829	Strainer assembly Kit (3-1/2")
5001868	1 3 1/2" Hair trap cup

